

Balcony Edge Trim Weep Hole Design

Balcony Edge Trim (BET) provides both a highly functional and very stylish way of completing open edge balcony floor.

Drip Edge

Prevents Staining Facades.

Weep Hole

Weep holes assist in preventing under-tile water build-up, which can lead to mould, degradation of rendering, or demulsification of balcony tile.

Anodised Aluminium

B.E.T is anticorrosive and will withstand extreme weather conditions. Can be powder coated to match any colour from the DULUX range. Available in 3m or 6m lengths.

Features

- Robust, ultra light-weight, practical and easy to install
- Professional finished edge for tiled balcony floors
- Seal or mechanically fixed
- Designed to work in with many waterproofing systems
- 40mm mounting plate ensures for well secured installation
- Water-tight balcony or terrace system
- Can be integrated with Demtech INSITU Panels
- Stylish / rust proof / water proof / weather proof anodised aluminium finish
- 12mm 'Drip Edge' that allows water flow to run-off to avoid staining facades
- Flexible design with a range of additional components to allow installations at 90° & 270° angles with extension and surface finish options
- Purpose-built 'Weep Holes' that allows trapped water under tiles to be free-flowing.



Australian Made, Designed and Protected.
Design Registered: 352955



Demtech Australia Pty Ltd
16 Logis Boulevard,
Dandenong South, VIC 3175

info@demtech.com.au
Technical Support: 1300 300 090



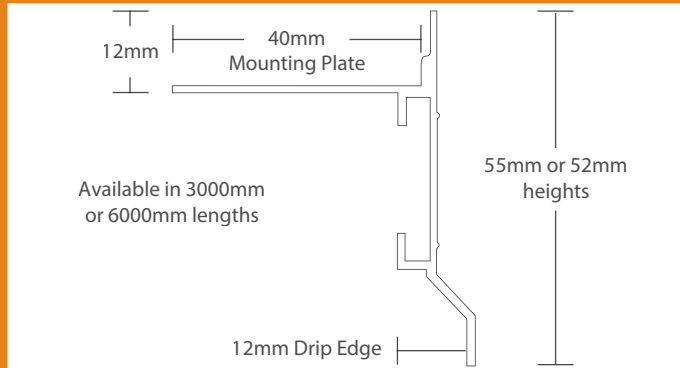
PRODUCT

Balcony Edge Trim - Weep Hole Design

MATERIALS

Anodised Aluminium Finish

DIMENSIONS



GENERAL BENEFITS

- Rust Proof
- Stain Proof
- Water Proof
- Light weight
- Weather Proof
- Stylish matt Aluminium finish
- Surface can be powder coated to match any colour from the DULUX range

APPLICATION

Used for any size / shape balcony
Installed on balcony edges between tile flooring and substrate.

FEATURES

- 12mm Drip Edge
- Weep Holes (3mm x 18mm / 100mm apart)
- Range of additional components
- 3m or 6m lengths
- Raised Trim Edge
- 40mm mounting plate
- Non Corrosive

TECHNICAL BENEFITS

- Allows water flow to run-off to avoid staining facades
- Allows trapped water to be released under tiles
- Allows installations at 90° & 270° angles & extensions
- Flexible balcony installations
- Provision to hide cut tile
- Well secured installation from glue seeping through and fixing itself between two surfaces.

ASSEMBLY

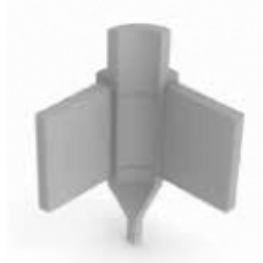
Balcony Edge Trim provides a range of easy to install plastic components which offer quick onsite solutions in achieving 90° or 270° degree angles. Able to extend or simply cover B.E.T ends with left or right caps.



Extension Cap



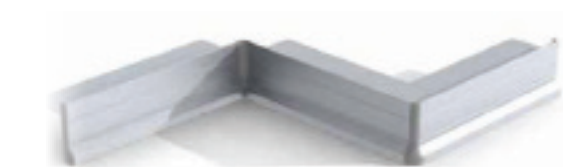
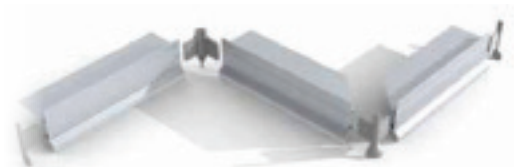
Left / Right End Cap



90° Elbow Joint



270° Elbow Joint



Connecting Components & Balcony Edge Trim