

U-Channel Shower Screen Profile

U-Channel eliminates bulky metal framed shower screens and provides a complete slim line, clean edge finish for semi frameless glass shower screen applications.

General Benefits

- Rust Proof
- Stain Proof
- Water Proof
- Light weight
- Stylish Anodised / Chrome finish

Technical Benefits

- Non Corrosive
- Anodised Coating
- Protects & completes cut tiled edge
- Ultra thin profile that provides a slim line stylish finish

Suitability

- 8mm & 10mm toughened Glass Screens

End Cap

Available in pairs of three varieties of coloured PVC plastic:



*Available in Natural
Anodised / Chrome finish.*



Demtech Australia Pty Ltd
P.O. Box 4535 Knox City
Centre VIC 3152

info@demtech.com.au
Technical Support: 1300 300 090



PRODUCT

U-Channel

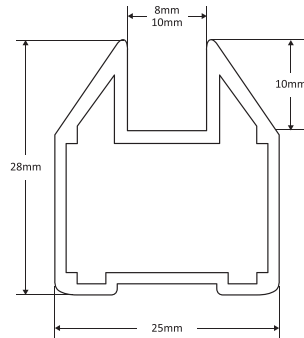
MATERIALS

Anodised or Chrome Aluminium Finish

DIMENSIONS

Side View

Available in 3m lengths



GENERAL BENEFITS

- Rust Proof
- Stain Proof
- Water Proof
- Light weight
- Stylish Anodised / Chrome finish
- Glass screen support frame

APPLICATION

Used as a supporting frame for 8mm or 10mm toughened glass shower screens. Applied in multiple areas such as part of balcony balustrades, glass screen pool fencing, etc.

FEATURES

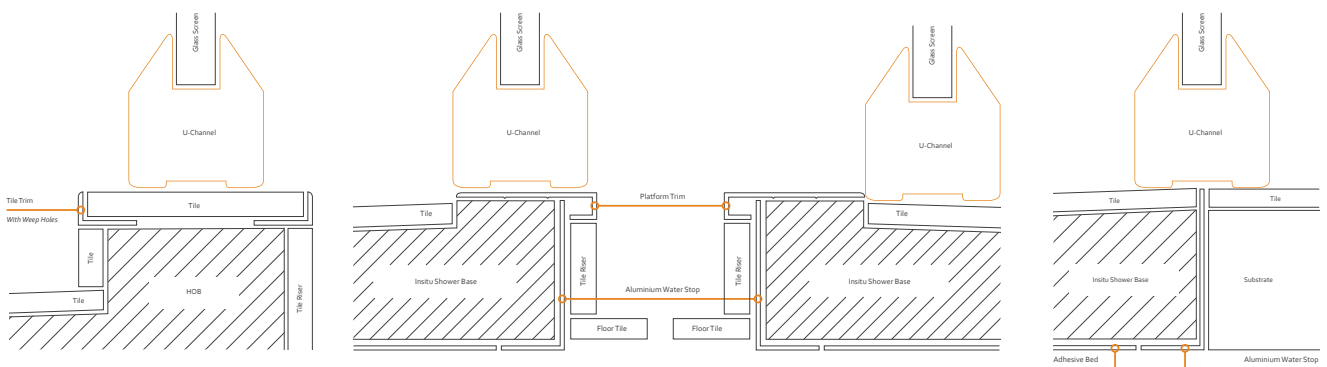
- Black / Grey / White PVC plastic Corner Connectors
- 8mm / 10mm glass screen gap width
- U-Channel available in 3m lengths

TECHNICAL BENEFITS

- Non Corrosive
- Anodised / Chrome Coating
- Protects & completes cut tiled edge
- Ultra thin profile that provides a slim line stylish finish

ASSEMBLY

Multiple Positions:



Shower Hob Detail

Outer Hobless Shower Detail

Inner

Seamless