

Delta Drain

Superior Leak-Proof Drainage System

Delta Drain resolves the issue of tight tolerances and removes the difficulties when trying to coordinate a match between drains and under floor plumbing connections. This unique two-part catchment/connection system comprises a main body & lid which work in unison to provide a deep & wide surface area for aligning & installing plumbing connections in Shower Bases, Linear Water Grate Systems, Toilet Pans, Baths & general water waste drainage.

Features

- ABS & UV stabilised
- Large catchment area
- 100% leak proof / Blockages & backflow
- Water Mark Approved AS2887 WM-22401
- Lid is made with a coarse non-slip surface
- Removable easy access lid for maintenance activities
- No deflection even after drainage penetration is made
- Extra depth for water grates, leak control & puddle flanges
- Robust Delta Lid designed to withstand high load pressures
- Non Corrosive. Will not deteriorate when exposed to elements.



Sleeves & Grommets

NERO Sleeves & Grommets have been specifically designed and engineered to provide lasting leak-free drainage solution. When plumbing penetrations are made through common substrates, Delta Drain or pans.

Features

- Non Corrosive
- Water Mark Approved AS2887 WM-22401
- 100% leak proof seal / Blockages & backflow
- Suitable for Linear Grate Systems, leak control flanges, toilet pans, pipes & fittings.



(Available in 50mm & 100mm)

Australian Made
Design Registered: 352956



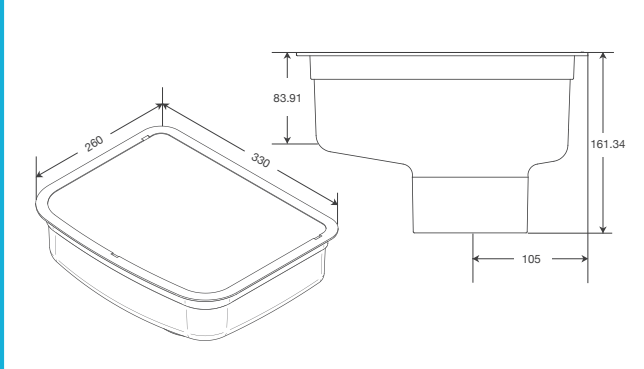
Demtech Australia Pty Ltd
P.O. Box 4535 Knox City
Centre VIC 3152

PRODUCT

MATERIALS

Delta Drain	ABS Plastic & UV Stabilised
-------------	-----------------------------

DIMENSIONS



APPLICATION

For Installation of:

Toilet Pan, LCF (Leak Control Flange), Linear Water Gates, Baths, Spas, Pipes & Fittings.

FEATURES

- ABS & UV stabilised
- Water Mark Approved AS 2887 WM-22401
- Non Corrosive / Blockages & back-flow
- Robust & easy to remove Delta Lid
- Extra depth for water grates, leak control flanges
- Coarse slip-proof lid

ASSEMBLY

Installation is simple – once the Sleeve is sealed into position using polyurethane sealant, the Grommet slides into the Sleeve. Water pipes / grate outlets / flange slides easily into the Grommet without any aid ensuring a watertight seal is achieved.

Aquaflo - Linear Grate System

(Example)

Grommet

Sleeve

P.U. Sealant

(Polyurethane)

Delta Drain

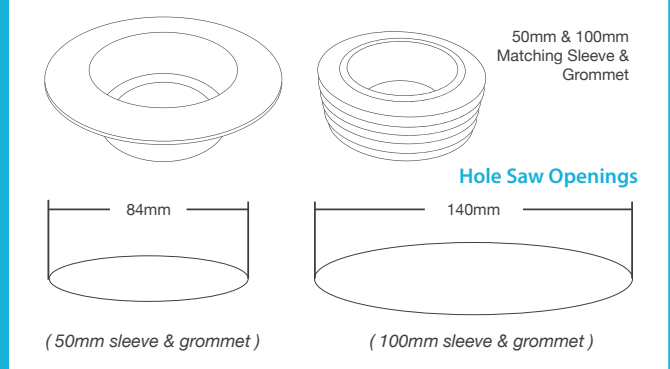


PRODUCT

MATERIALS

Sleeves & Grommets	ABS Plastic & Rubber
--------------------	----------------------

DIMENSIONS



APPLICATION

Create penetration by using either 84mm or 140mm hole saw. Apply polyurethane sealant between Delta Drain & Sleeve. Install Sleeve then Grommet.

FEATURES

- ABS & UV stabilised
- Water Mark Approved AS 2887 WM-22401
- Non Corrosive
- 100% leak proof seal / Blockages & backflow
- Suitable for Linear Grate Systems, leak control flanges, toilet pans, pipes & fittings



Also suitable for:
Toilets Pans & Bath Tubs

